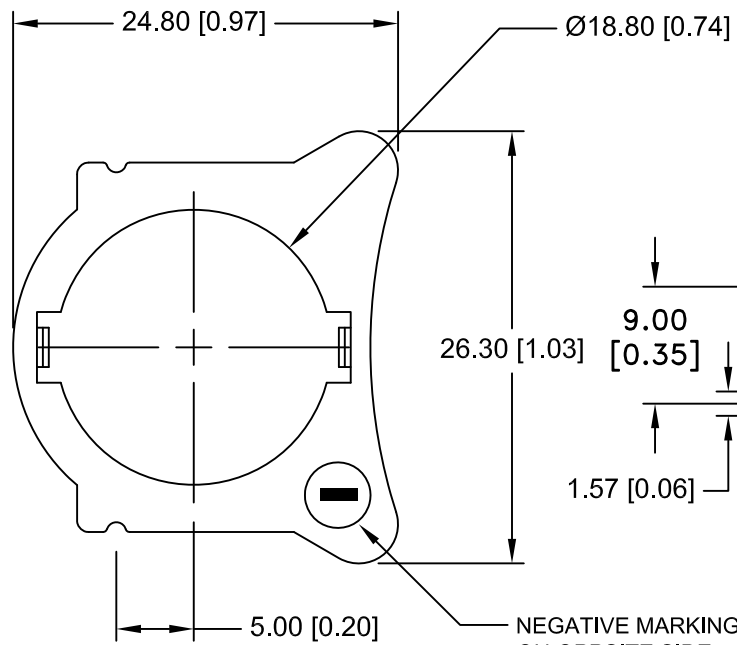
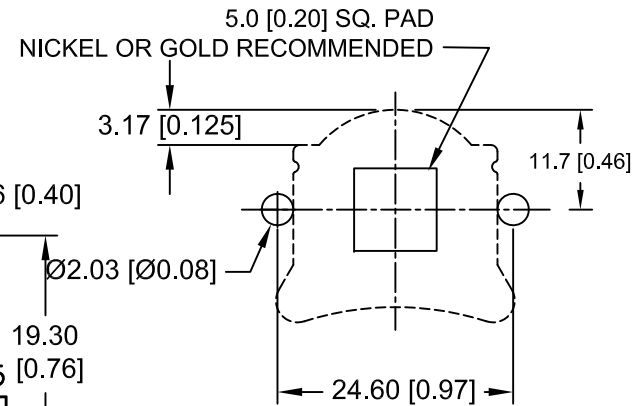
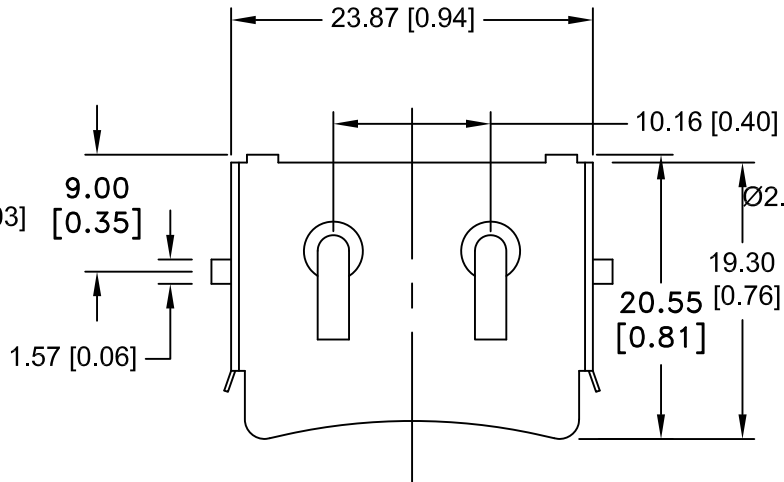
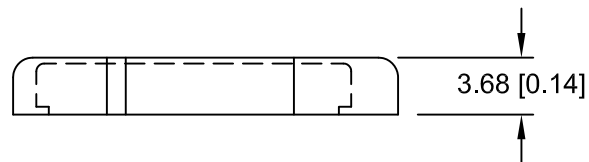


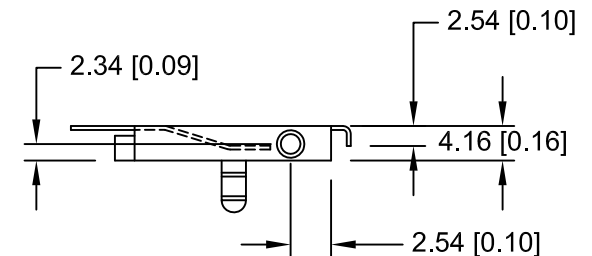
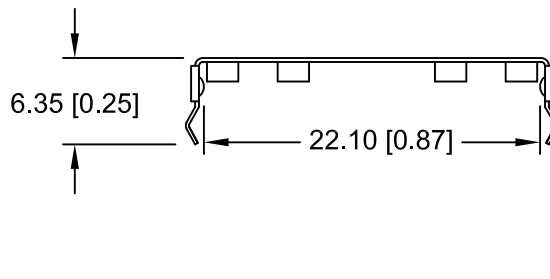
Date	SYM	REVISION RECORD	AUTH	DR.	CK.
05/10/13	E	Dim. Ø18.80 was Ø17.78	T.B.	B.S.	
12/06/13	F	Added Dim. 3.17 to PCB layout	T.B.	B.S.	
05/09/14	G	Added Dim. 9.00 and 20.55	T.B.	B.S.	



### INSULATOR




### PCB LAYOUT



#### SPECIFICATIONS:

- \* Holder material- Polypropylene, AV161 PP, Off White
- \* UL Flamability Rating: UL 94-HB File No. E108370
- \* Contacts : Phosphor Bronze C5191, Nickel Plated 80-150u thickness
- \* Vibration test: 10-50-10 hz swept in 60 seconds  
x,y,z direction: 1 hour each direction
- \* Result: no dislodgement of the cell or damage  
no discontinuity over 10 micro-seconds
- \* Shock test: half sine wave acceleration 150g.  
6 m/s 3 shock pulses each direction per axis,  
total of 18 pulses
- \* Result: no evidence of physical damage
- \* ROHS 2 COMPLIANT

Tolerance (Except as noted)	 <b>Memory Protection Devices, Inc</b> 200 Broad Hollow Road, Farmingdale, New York 11735	Scale	Drawn By B.S.
		Approved By T.B.	
decimal ±.5 (.020)	Title CR2032 PC PINS BATTERY RETAINER WITH INSULATOR		
Fractional ± .8 (.030)	Date	Drawing Number	
Angular ± 3°	05/09/14	BHX1-2032-PC	